

# SPECIFICATION FOR APPROVAL

Customer : \_\_\_\_\_  
Description AC FAN  
Customer Part No: \_\_\_\_\_ REV: \_\_\_\_\_  
Fulltech Model No: UF-200BMB23H1C2A-00000 REV: 00  
Issue Date: MAY.05.21

PLEASE SEND ONE COPY OF THIS SPECIFICAITON BACK AFTER YOU SIGNED APPROVAL FOR PRODUCTION PRE-ARRANGMENT.

APPROVED BY:

DATE:

FULLTECH ELECTRIC CO., LTD  
NO.31, NEI-SHI ROAD, LU-CHU DISTRICT 33852,  
TAOYUAN CITY, TAIWAN, R.O.C.  
TEL: 886-3-3246161  
FAX: 886-3-3245596

\*\*\*HISTORY\*\*\*

CUSTOMER: \_\_\_\_\_

CUSTOMER P/N: \_\_\_\_\_

FULLTECH MODEL: UF-200BMB23H1C2A-00000

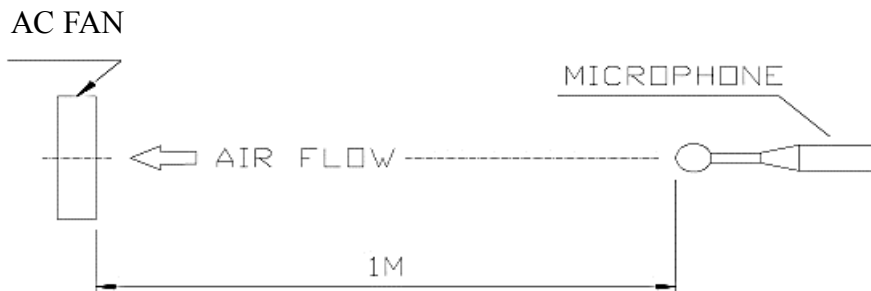
REV	DESCRIPTION	DRAWN	CHECKED	APPROVED	ISSUE DATE

## SPECIFICATIONS

ITEM	MODEL	UF-200BMB23H1C2A
RATED VOLTAGE		AC230V
VOLTAGE RANGE		AC207-253V
SPEED(RPM)		50Hz 2550 RPM±10% 60Hz 2800 RPM±10%
RATED CURRENT		50Hz 0.35 A±10% 60Hz 0.33 A±10%
RATED INPUT		50Hz 72 W±10% 60Hz 75 W±10%
LOCKED CURRENT		50Hz 0.50 A±10% 60Hz 0.51 A±10%
MAX. AIR VOLUME		50Hz 530±10% CFM 60Hz 600±10% CFM
MAX. STATIC PRESSURE		50Hz 0.67±10% inH2O 60Hz 0.65±10% inH2O
OPERATING TEMP.		-40℃~ +70℃
MAX. OPERATING HUMIDITY		85%
STORAGE TEMP.		-40℃~ + 80℃
ROTATING DIRECTION		CLOCKWISE DIRECTION
BLOWING DIRECTION		EXHAUST OVER STRUTS
INSULATION RESISTANCE		DC 500 V 100M Ω
DIELECTRIC STRENGTH		AC 1500V / 1MIN
NOISE		50Hz 59 (Max.64) dB 60Hz 61 (Max.66) dB
SAFETY PROTECTION		THERMAL PROTECTION
INSULATION GRADE		CLASS F
BEARING		BALL BEARING
LIFE EXPECTANCY		OVER 40000 HOURS (40℃)
FRAME MATERIAL		ALUMINUM (ADC-12)
IMPELLER		METAL
CAPACITOR		1.5uF/450V
WEIGHT		2.1 KG.

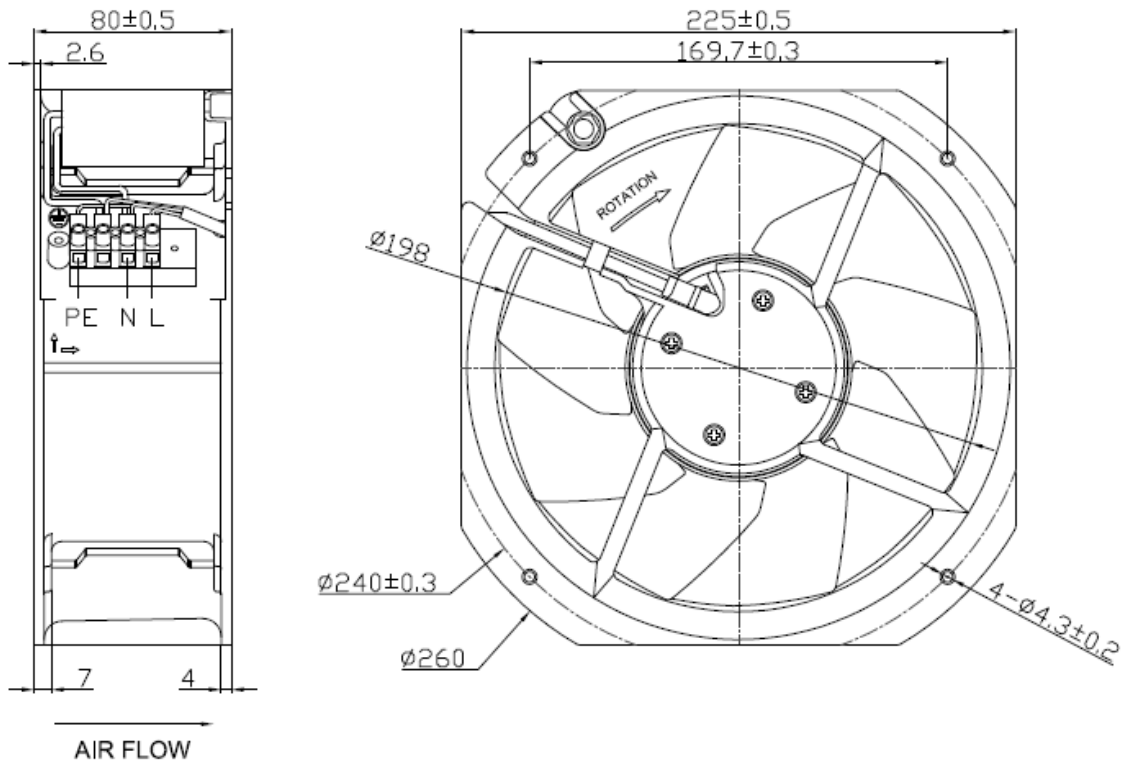
## NOTES:

1. ALL READINGS ARE MEASURED AFTER STABLY WARMING UP THROUGH 30 MINUTES.
2. STANDARD AIR PROPERTY IS AIR AT (Td) 25°C TEMPER ATURE, (RH) 65% RELATIVE HUMIDITY , AND (Pb) 760 mmHg BAROMETRIC PRESSURE.
3. ACOUSTICAL NOISE MEASURING CONDITION:



4. NOISE IS MEASURED AT RATED VOLTAGE IN FREE AIR IN A SEMI-ANECHOIC CHAMBER WITH A & D SOUND LEVEL METER WITH MICROPHONE AT A DISTANCE OF ONE METER FROM THE FAN INTAKE.

# PRODUCT DRAWING

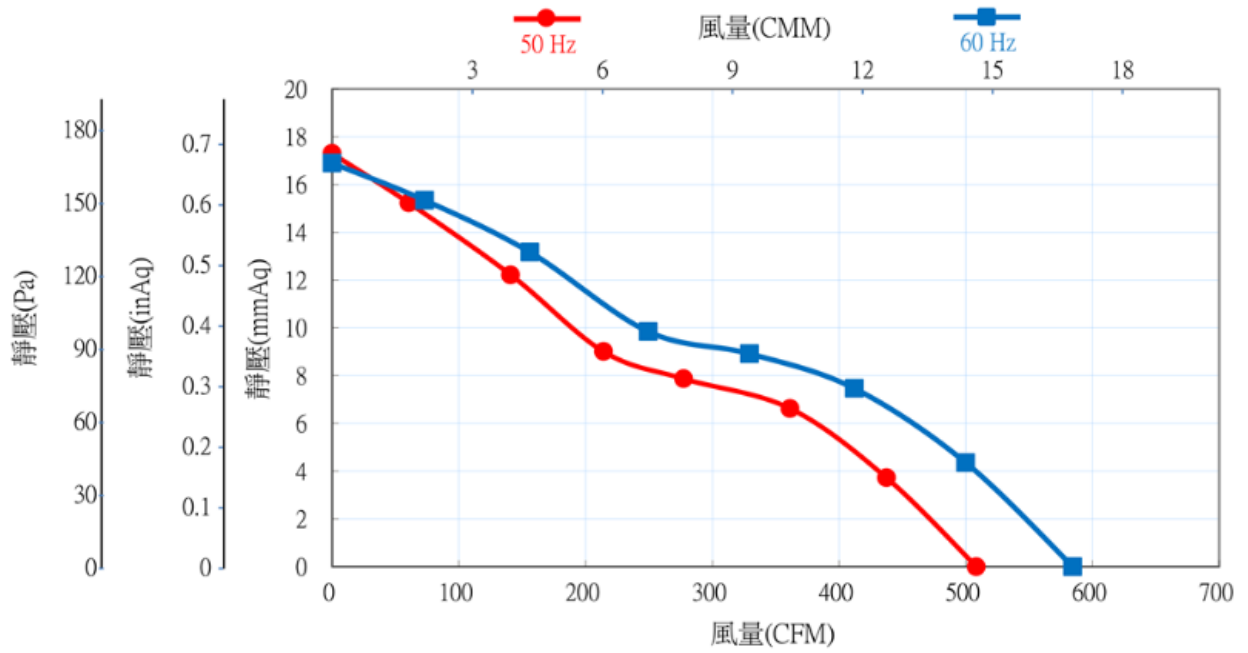


MODEL : UF200BMB

# AIR FLOW-STATIC PRESSURE CURVE

品名：軸流扇  
規格：UF - 200BMB23H1C2A

測試日期：2015/10/6



# Operating Manual

## 1. SAFETY REGULATIONS AND INFORMATION

- Read following operating instructions carefully before starting work on the device. Observe the following warnings to prevent machine malfunctions or danger to persons.
- These operating instructions maybe duplicated and distributed to inform about the potential dangers.

### 1.1 Staff Qualifications

- The device may only be transported, unpacked, installed, operated, maintained and otherwise used by qualified, trained and authorized technical staff.
- Authorized specialists are preferred to install the device with the electrical installation and carry out the test run.

### 1.2 Basic safety rules

- Please make sure the product is being installed and used in compliance with all safety standards.
- The locally applicable industrial safety regulations are always to be observed when working on the device.
- Please handle and install the product with caution. Hit or drop the product may cause possible damage.
- Please do not damage the product, especially the coil or lead wires during the installation, which may cause the possible smoke or fire.
- Fulltech Electric Co., Ltd.'s product warranty will not extend if your application exceeds the limitation of product specification.

### 1.3 Mechanical movement

- Risk of injury to body parts if coming into contact with the rotor or the impeller.
- Secure the device against accidental contact
- Before working on the system/machine, wait till all parts come to a standstill.
- Fulltech recommends to protect the fan from exposure to outside elements, such as dust, condensation, humidity or insects. Exposure of this fan to outside elements such as dust, condensation, humidity or insects may effect the fan performance and cause the safety concern.

### 1.4 Transportation

- Transport the fan in its original packaging is preferred.

### 1.5 Storage

- Please follow the requirement on product specification for fan storage. Make sure that fan will dry and clean and free from vibration.
- Please “do not” store the fan in a high humidity environment. If this fan is stored over 6 months, Fulltech suggests functional testing before using.

### 1.6 Warranty

- This fan is warranted against all defects which are proved to be fault in our workmanship and material for one year from the date of our delivery.
- The sole responsibility under the warranty shall be limited to the repair of the fan or the replacement thereof, at Fulltech’s sole discretion.
- Fulltech will not be responsible for the failures of it’s fan due to improper handling misuse or the failure to follow specification or instruction for use.
- Fulltech will not be responsible for any consequential damage to the customer’s equipment as a result of any fans proven to be defective.